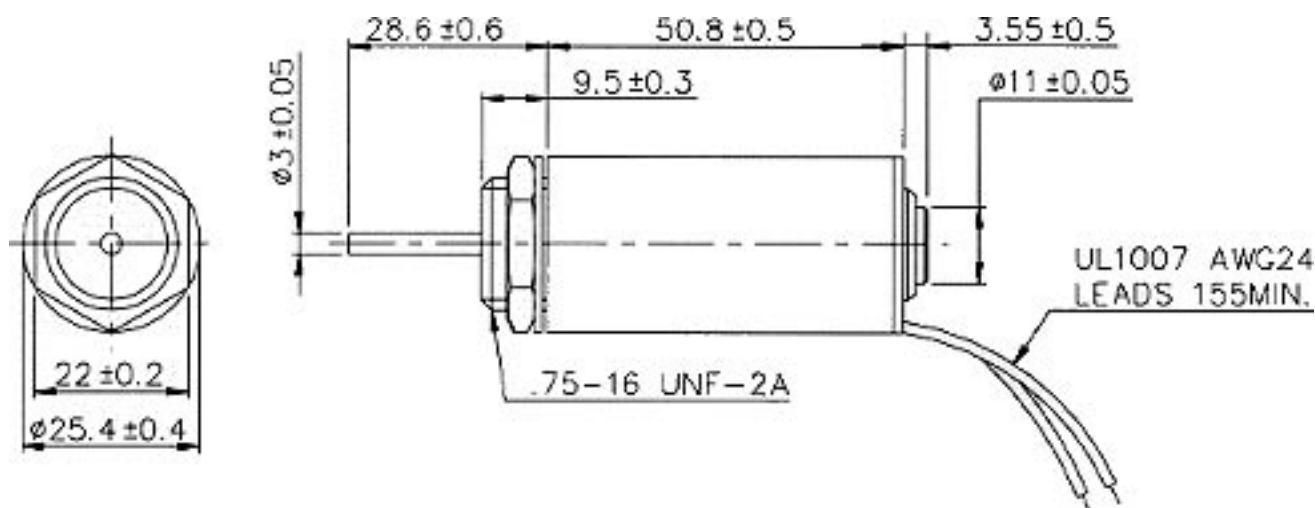
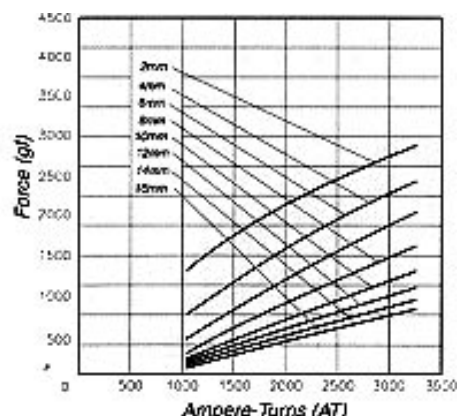
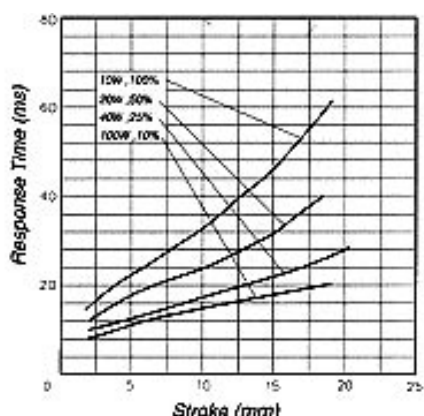
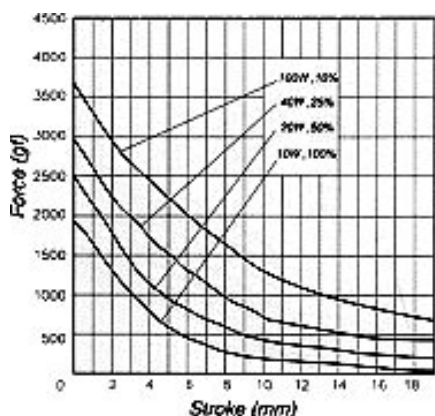


TU.2551T24VDC Push Type Linear Tubular Solenoid

$\text{Duty cycle (\%)} = \frac{\text{"ON" time}}{\text{"ON" time} + \text{"OFF" time}} \times 100$		Continuous (100%)	Or less (50%)	Or less (25%)	Or less (10%)	
MAX. "ON" time in seconds		∞	360	32	8	
Watts at 20°C		10	20	40	100	
Ampere-turns at 20°C		1090	1541	2180	3447	
Type No.	Resistance (20°C) Ω±10%	No. Turns	Volts DC			
TU.2551T.24VDC.100%	57.6	2614	24	34	48	76



TU.2551T.24VDC Push Type Linear Tubular Solenoid



Plunger Weight: 32.6g / Total Weight: 175g

The Solenoid Company
 H. Kuhnke Ltd
 21 Abbey Enterprise Centre
 Premier Way
 Romsey
 Hampshire
 SO51 9AQ
 UK

Tel: +44 (0)1794 514445
 Fax: +44 (0)1794 513514
 Email: sales@thesolenoidcompany.com
 Web: www.thesolenoidcompany.com

The information shown on these pages is for guidance purposes only. The Solenoid Company accepts no responsibility for the use of this data. System designers are responsible for ensuring that these products are suitable for the relevant application.