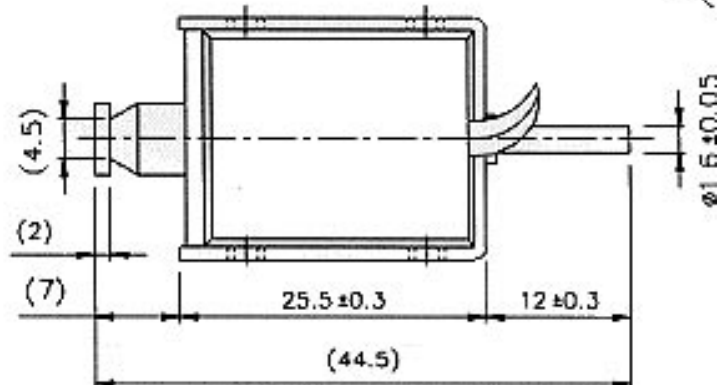
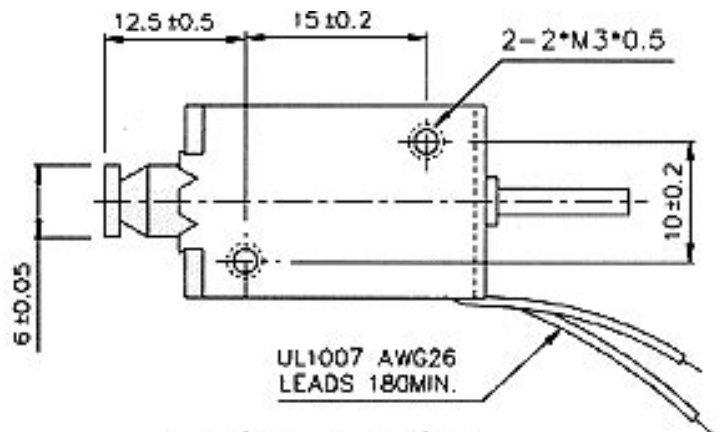
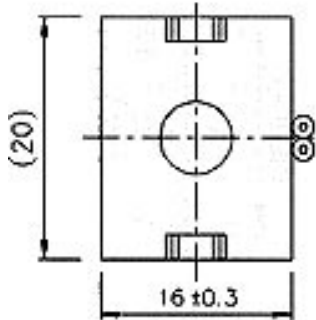
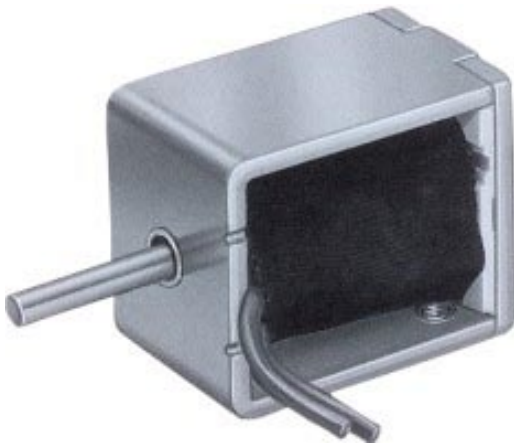
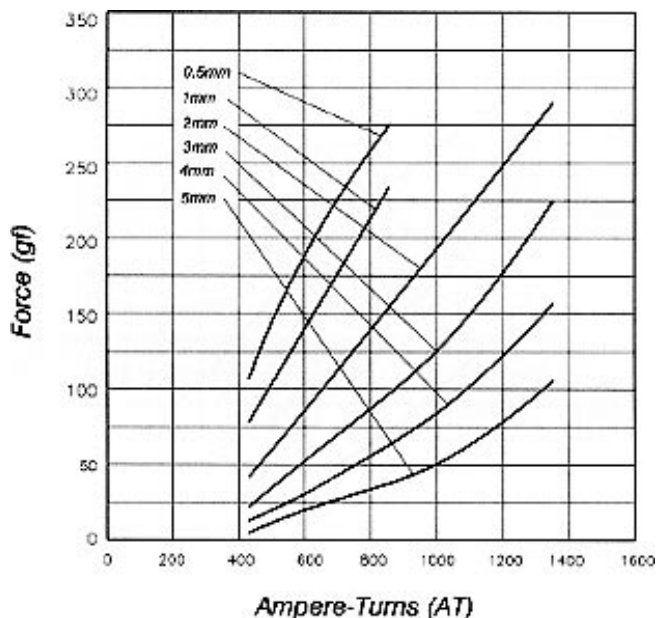
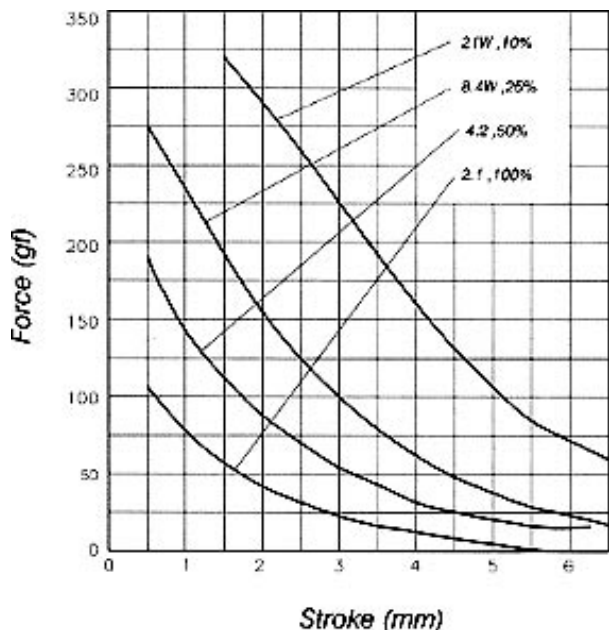


## OP.626T.24VDC Push Type Open Frame Linear Solenoid

$\text{Duty cycle (\%)} = \frac{\text{"ON" time}}{\text{"ON" time} + \text{"OFF" time}} \times 100$		Continuous (100%)	Or less (50%)	Or less (25%)	Or less (10%)	
MAX. "ON" time in seconds		$\infty$	55	19	3	
Watts at 20°C		2.1	4.2	8.4	21	
Ampere-turns at 20°C		428	605	856	1353	
Type No.	Resistance (20°C) $\Omega \pm 10\%$	No. Turns	Volts DC			
OP.626T.24VDC.100%	274	4886	24	34	48	76



**OP.626T.24VDC**  
**Push Type Open Frame Linear Solenoid**



**Plunger Weight: 5g / Total Weight: 43g**

The Solenoid Company  
 H. Kuhnke Ltd  
 21 Abbey Enterprise Centre  
 Premier Way  
 Romsey  
 Hampshire  
 SO51 9AQ  
 UK

Tel: +44 (0)1794 514445  
 Fax: +44 (0)1794 513514  
 Email: sales@thesolenoidcompany.com  
 Web: www.thesolenoidcompany.com

The information shown on these pages is for guidance purposes only. The Solenoid Company accepts no responsibility for the use of this data. System designers are responsible for ensuring that these products are suitable for the relevant application.