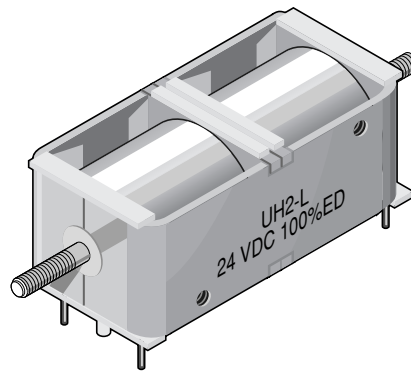


# UH2 Series Linear Solenoid Two Directional Thrust & Pull Type

UH	2	- L -	24 V DC	100 % ED	Order specifications
UH					Linear solenoid
	2				Design type
					Coil terminals
		F			Flying leads (10 cm standard length)
		L			Soldering pins
			24		Nominal voltage (standard voltage) <sup>1)</sup>
				100 % ED	Perm. duty cycle under air cooled conditions (LK)

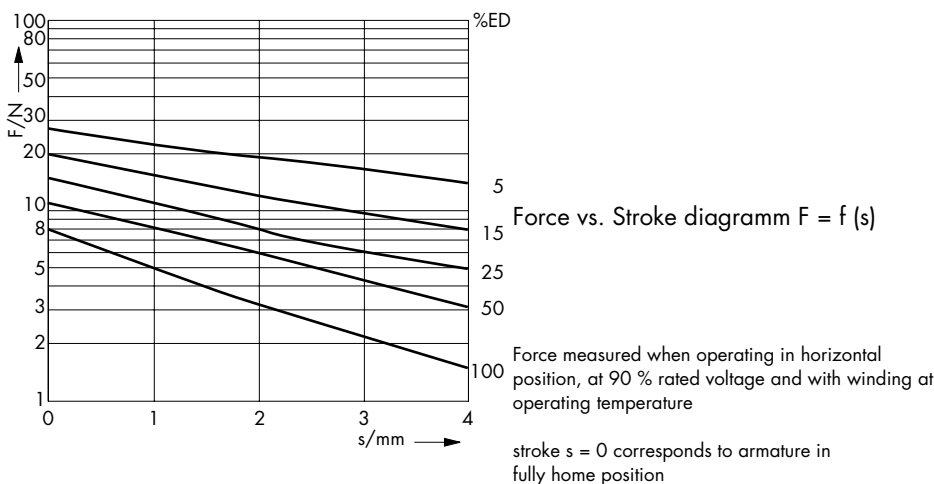
<sup>1)</sup> Other voltages are available on request up to 30 V DC



Weight:  
 Complete  
 solenoid: appr. 135 g  
 Armature: appr. 20 g  
 Standard:  
 Voltage: 24 V DC  
 Flying leads: 10 cm  
 Insulation class: E (max. permissible temperature = 120 °C)  
 Insulation group according to: VDE 0110 C 300  
 Test voltage: 2500 V (eff)

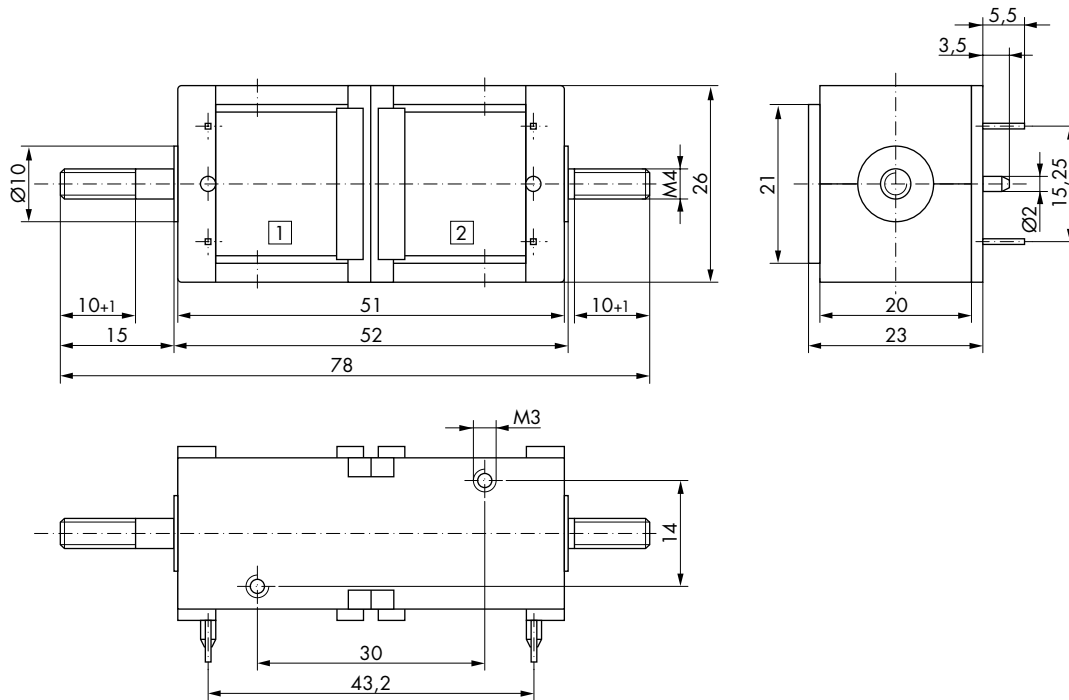
%	100	50	25	15	5	% Perm. duty cycle (ED) <sup>2)</sup>
W	8,3	16	30	46	115	W Nominal coil power P <sub>n</sub>

<sup>2)</sup> If solenoid is mounted directly onto a flat metal surface of at least 160 cm<sup>2</sup>, the duty cycle can be extended up to 1.3 x nominal rating



This PDF data sheet was downloaded from [www.thesolenoidcompany.com](http://www.thesolenoidcompany.com) which is an advertising name of Impulse Automation Limited (Formerly H.Kuhnke Limited). Information shown in these data sheets are for guidance purposes only, no liability is accepted for any errors or omissions. The designer or user is solely responsible for the safe and proper use of these parts, assemblies or equipment described.

# UH2 Series Linear Solenoid Two Directional Thrust & Pull Type



Dimensions given when system 1 current-carrying  
 <----->  
 Direction of stroke

This PDF data sheet was downloaded from [www.thesolenoidcompany.com](http://www.thesolenoidcompany.com) which is an advertising name of Impulse Automation Limited (Formerly H.Kuhnke Limited). Information shown in these data sheets are for guidance purposes only, no liability is accepted for any errors or omissions. The designer or user is solely responsible for the safe and proper use of these parts, assemblies or equipment described.