

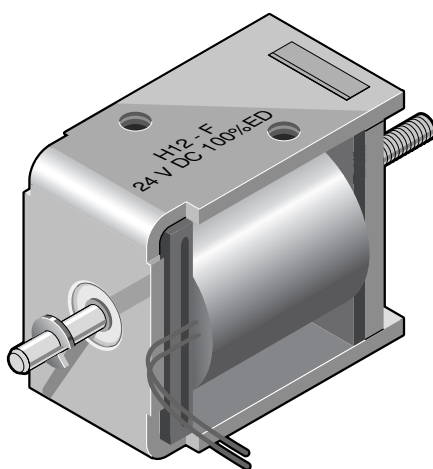
H12 Series Linear Solenoid Thrust & Pull Type

H	12	- F -	24 V DC	100 % ED	Order specifications
H					Linear solenoid
	12				Sizes
					Coil terminals
		F			Flying leads (10 cm standard length)
			24		Nominal voltage (standard voltage) ¹⁾
				100 % ED	Perm. duty cycle under air cooled conditions (LK)

Preferred types competitively priced and available on a quick delivery.

H12-F-24VDC 100%ED

¹⁾ Other voltages are available on request up to 60 V DC



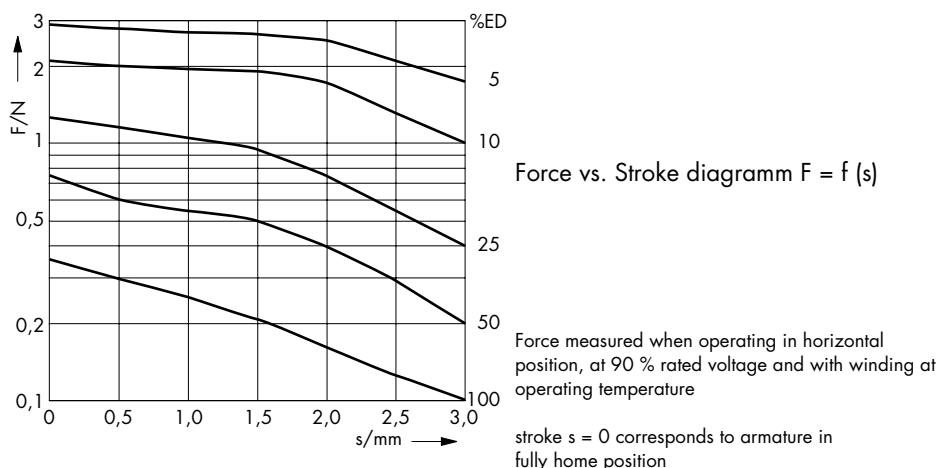
Weight:
 Complete solenoid: 12 g
 Armature: 2 g
 Standard:
 Voltage: 24 V DC
 Flying leads: 10 cm
 Insulation class: B (max. permissible temperature = 130 °C)

Insulation according to DIN VDE 0110-1: 0.5 KV/1
 Test voltage: 1000 V (eff)

Long life expectancy through plastic bobbin armature bearing.

	100	50	25	15	10	5	% Perm. duty cycle (ED) ²⁾
	2,4	4,7	8,7	14	20	36	W Nominal coil power P _n

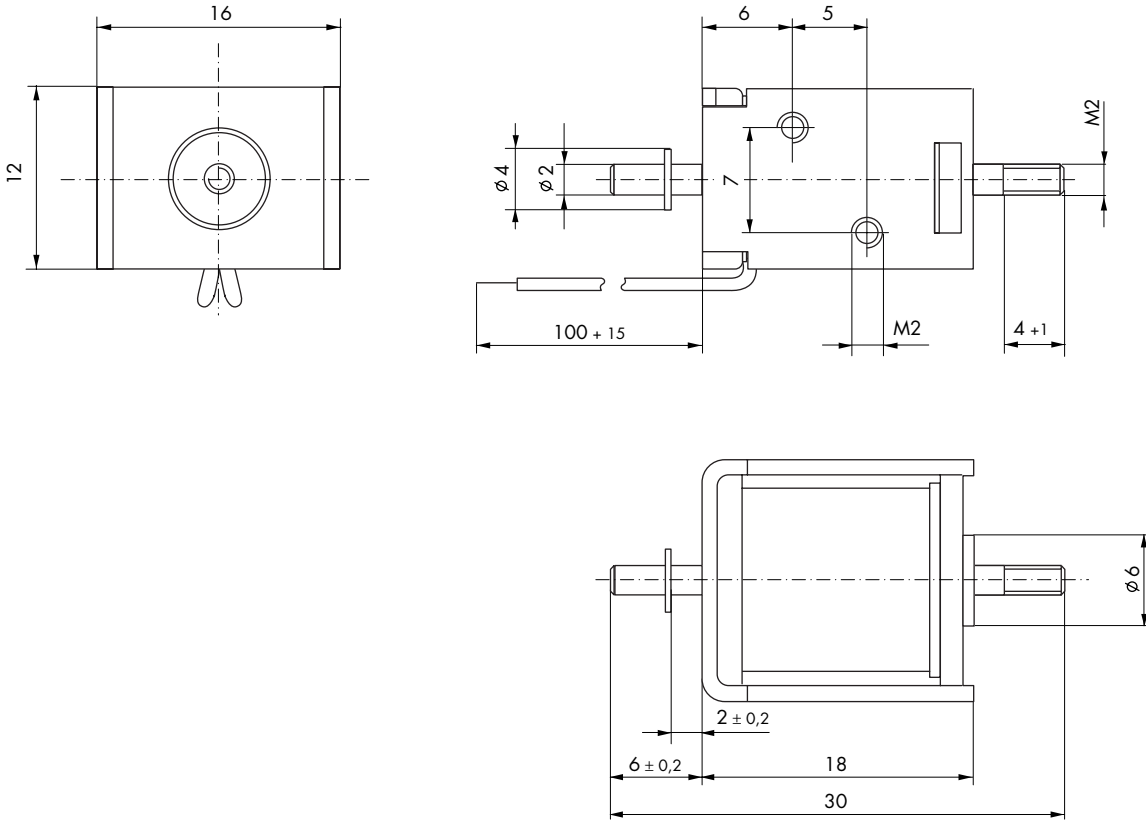
²⁾ If solenoid is mounted directly onto a flat metal surface of at least 45 cm², the duty cycle can be extended up to 1.3 x nominal rating



This PDF data sheet was downloaded from www.thesolenoidcompany.com which is an advertising name of Impulse Automation Limited (Formerly H.Kuhnke Limited). Information shown in these data sheets are for guidance purposes only, no liability is accepted for any errors or omissions. The designer or user is solely responsible for the safe and proper use of these parts, assemblies or equipment described.

H12 Series Linear Solenoid Thrust & Pull Type

Series H 12 combi type solenoid



Dimensions given with armature
 in fully home position

←
 Direction of stroke

This PDF data sheet was downloaded from www.thesolenoidcompany.com which is an advertising name of Impulse Automation Limited (Formerly H.Kuhnke Limited). Information shown in these data sheets are for guidance purposes only, no liability is accepted for any errors or omissions. The designer or user is solely responsible for the safe and proper use of these parts, assemblies or equipment described.

Document LNSH12/22 Revision 001